

**CUSTOMER SUPPORT DEPARTMENT  
APPLICATION NOTE**

**SUBJECT** EL 305 single phase application

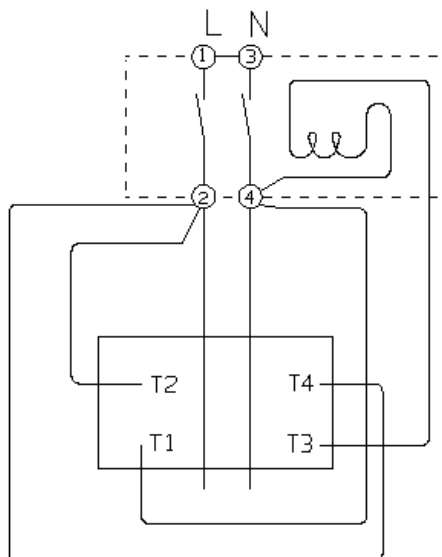
**BRIEF**

Customer Enquiry:

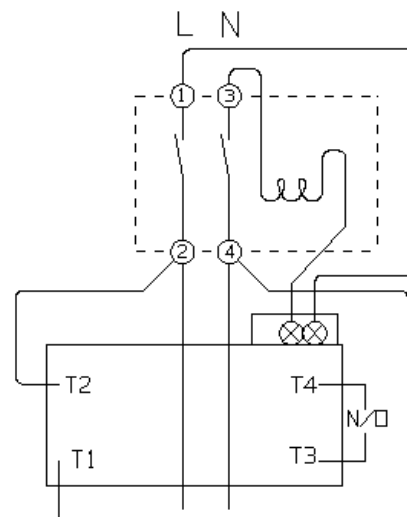
There is a requirement to use an EL305 earth leakage relay in a single phase application. The question asked is, can the EL305 be used in a single phase application and if so how do you connect it.

**REMARKS**

The figure below shows the connection requirements for either the EL305/6 in a single phase supply system.

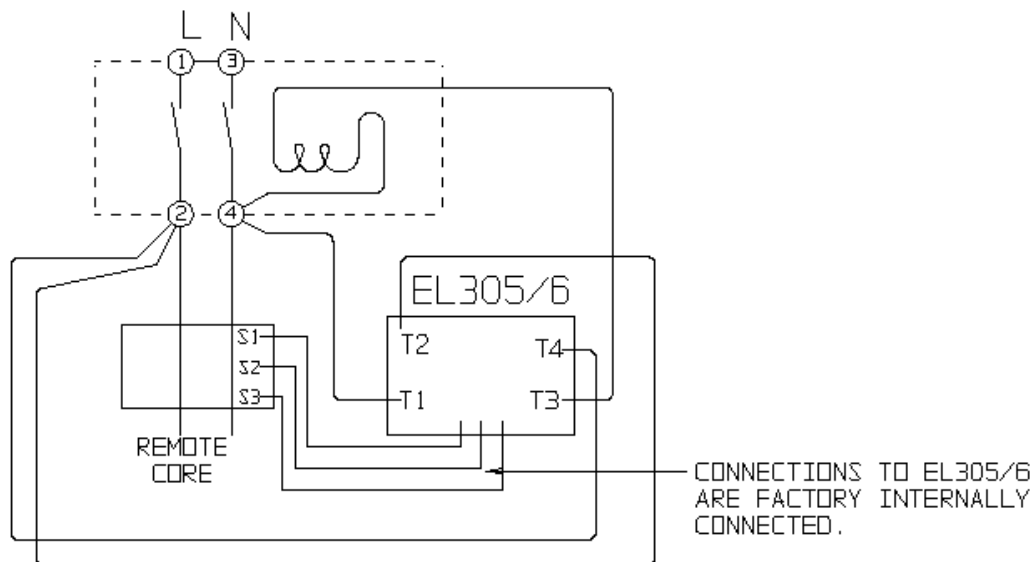


SHUNT TRIP CONNECTION



LVR CONNECTION

In applications where an EL305/6 is used in conjunction with a remote core, the figure below shows the connection requirements.



NB: The supply voltage of the EL305 units must be specified at the time of ordering.





AN0904

## APPLICATION NOTE DISTRIBUTION LIST

---

FROM : John Raptakis

C. MIDDLETON  
B. WADELEY  
J. RENNEY  
B. DOCHERTY  
K. VD MERWE  
E. DELPORT  
S. BROWN  
M. DANIELL  
N. JACKSON  
J. PAUL  
P. COLAROSSO  
S. RAVENSCROFT  
E. OWEN  
D. MARTCH  
M. DUNN  
W. WEBER  
D. BAGALINI  
W. MILLAR  
K. HEITMULLER (cc. K.Nusse & T.Grills please!)  
J. RAPTAKIS  
K. FLACK  
F. BOTHA  
J. TOTH

\* WHERE APPLICABLE