

SFM - Series Miniature Circuit Breakers - DC



1 pole
Surface mount



2 pole
Surface mount

Features

- DC circuit breaker
- Hydraulic-magnetic technology
- 100 % rating capability; independent of ambient temperature
- One and two pole (3 & 4 pole applies only if accessories are required)
- 125 Vdc (250 Vdc 2 pole in series)
- Ratings 1 A to 100 A (No third party approvals)
- Available in various current ratings and time delays
- Precision tripping characteristics
- Can be switched on immediately after tripping
- Optional auxiliary switch
- Optional shunt trip (No approvals)

Auxiliary Switch: Features

- Single pole double throw
15 A @ 250 Vac

Optional Accessories

- Handle lock - 4474005
- Safety blank (1 Pole) - SFM1BLANK
- Safety blank (2 Pole) - SFM2BLANK
- Escutcheon blank - SFEB000

Hydraulic-Magnetic Circuit Breakers 100% rated, unaffected by ambient temperature

SFM - Series Miniature Circuit Breakers - DC

Technical Data

Product Type	SFM(26)
Ambient Operating Temperature	-40 °C to +85 °C
Mounting Options	Clip tray, Front & Surface mounting
Time Delay Curves	1, 2, 3
Weight	200 g per pole, 260 g with auxiliary (unpacked)
Altitude	Certification tests done at altitude ≈ 2000 metres. Will operate at higher altitudes.
Shock	50 g with pulse duration of 11 milliseconds
Vibration	5 g from 35 Hz to 200 Hz
Flammability	I3 - Ignition does not persist at 850 °C after glow wire is withdrawn with an oxygen index of ≥ 28
Toxicity	F1 - Smoke index of ≤ 20 which determines the fume class
Pollution Degree	PD2 - Normally only non-conductive pollution occurs. Temporary conductivity caused by condensation is to be expected.

Circuit Breaker		Wire Size (IEC)	Torque (IEC)
Main terminals	Box Type	1 mm ² - 35 mm ²	4 Nm
	Lug & Rear Studs Type	1 mm ² - 50 mm ²	

SFM - Series Miniature Circuit Breakers - DC

Long Code

Example Code: SFM4-2H3/H1/H10-60A-2-48-125Vdc - DC-Z

Group	1	2	3	4	5	6	7	8	9	10	11	12	13	14	15	16	17	18	19
Requirement	SFM	Four Pole	Two Pole First Set	Box Type Main Terminal	Overload Series Trip	One Pole Second Set	Box Type Main Terminal	Overload Series Trip WITH Aux switch	One Pole Third Set	Box Type Main Terminal	Shunt Trip (ST1), flexible leads	N/A	N/A	N/A	Current Rating	Time Delay	Shunt Trip Voltage Vac	AC/DC	No Approvals
Long Code	SFM	4	2	H	3	/	H	1	/	H	10	-	-	-	60 A	2	48-125	DC	Z

Ordering Information

	Code	Description	Comments
First Set (s)	Group 1: Frame Type		
	SFM	SFM	
	Group 2: Total Number of Poles		
	1	Single pole	
	2	Double pole	
	3	Triple pole	
	4	Four pole	
	Group 3: Number of Poles		
	-	Not applicable	All poles are the same
	2	Two poles	
	3	Three poles	3 & 4 pole applies only if accessories are required. i.e Shunt trip, Auxiliary switch pole, etc.
	4	Four poles	
	Group 4: Termination		
	B	Rear studs "DC"	
	E	Screw terminal "DC"	
H	Box terminal "DC"		
Group 5: Pole Construction			
0	Switch Disconnecter with auxiliary switch fitted		
1	Series trip overload with auxiliary switch fitted		
3	Overload series trip		
6	Shunt trip four terminals. (INTERNAL SHUNT)		
10	Shunt trip (ST1), flexible leads. (EXTERNAL SHUNT)		
11	Shunt trip (ST1), with auxiliary switched fitted. (EXTERNAL SHUNT)		
13	Switch Disconnecter with auxiliary switch fitted		
14	Shunt trip in series with a cut-off main contacts (ST1CO). With flexible leads. Occupies additional pole. (SERIES SHUNT)		
15	Auxiliary switch with flexible leads (internal fitted). Occupies additional pole		
Second Set (s)	Group 6: Number of Poles		
	-	Not Applicable	
	/	One pole	
	/2	Two poles	
	/3	Three poles	
	/4	Four poles	
	Group 7: Terminal Type		
	B	Rear studs "DC"	
	E	Screw terminal "DC"	
	H	Box terminal "DC"	
	Group 8: Pole Construction		
	0	Switch Disconnecter with auxiliary switch fitted	
	1	Series trip overload with auxiliary switch fitted	
	3	Overload series trip	
	6	Shunt trip four terminals. (INTERNAL SHUNT)	
10	Shunt trips (ST1), flexible leads. (EXTERNAL SHUNT)		
11	Shunt trip (ST1), with auxiliary switch fitted. (EXTERNAL SHUNT)		
13	Switch Disconnecter with auxiliary switch fitted		
14	Shunt trip in series with a cut-off main contacts (ST1CO). With flexible leads. Occupies additional pole. (SERIES SHUNT)		
15	Auxiliary switch with flexible leads (internal fitted). Occupies additional pole		

Continues on page 4

SFM - Series Miniature Circuit Breakers - DC

Ordering Information

	Code	Description	Comments
Third Set (s)	Group 9: Number of Poles		
	-	Not Applicable	
	/2	Two pole	
	/3	Three poles	
	/4	Four poles	
	Group 10: Terminal Type		
	B	Rear studs "DC"	
	E	Screw terminal "DC"	
	H	Box terminal "DC"	
	Group 11: Pole Construction		
	0	Switch Disconnecter with auxiliary switch fitted	
	1	Series trip overload with auxiliary switch fitted	
	3	Overload series trip	
	6	Shunt trip four terminals. (INTERNAL SHUNT)	
	10	Shunt trip (ST1), flexible leads. (EXTERNAL SHUNT)	
11	Shunt trip (ST1), with auxiliary switch fitted. (EXTERNAL SHUNT)		
13	Switch Disconnecter with auxiliary switch fitted		
14	Shunt trip in series with a cut-off main contacts (ST1CO). With flexible leads. Occupies additional pole. (SERIES SHUNT)		
15	Auxiliary switch with flexible leads (INTERNAL FITTED). Occupies additional pole		
Fourth Set (s)	Group 12: Number of Poles		
	-	Not Applicable	
	/2	Two pole	
	/3	Three poles	
	/4	Four poles	
	Group 13: Terminal Type		
	B	Rear studs "DC"	
	E	Screw terminal "DC"	
	H	Box terminal "DC"	
	Group 14: Pole Construction		
	0	Switch Disconnecter with auxiliary switch fitted	
	1	Series trip overload with auxiliary switch fitted	
	3	Overload series trip	
	6	Shunt trip four terminals. (INTERNAL SHUNT)	
	10	Shunt trips (ST1), flexible leads. (EXTERNAL SHUNT)	
	11	Shunt trip (ST1), with auxiliary switch fitted. (EXTERNAL SHUNT)	
	13	Switch Disconnecter with auxiliary switch fitted	
	14	Shunt trip in series with a cut-off main contacts (ST1CO). With flexible leads. Occupies additional pole. (SERIES SHUNT)	
	15	Auxiliary switch with flexible leads (internal fitted). Occupies additional pole	
	Group 15: Current Rating		
		1, 2, 4, 6, 10, 15, 16, 20, 25, 30, 32, 40, 50, 63, 70, 80, 100 A	Ratings certification dependant

SFM - Series Miniature Circuit Breakers - DC

Ordering Information

Group 16: Time Delay	Code	Description	Comments
	1	Long time delay	Orange handle
	2	Medium time delay	White handle
	3	Short time delay	White handle
Group 17: Shunt Trip Voltage	Code	Description	Comments
	-	Not Applicable	
	12 - 48	12 - 48 Vdc or 24 - 96 Vac	
	48 - 125	48 - 125 Vdc or 96 - 250 Vac	
Group 18: AC/DC	Code	Description	Comments
	DC	Direct current	125 Vdc (250 Vdc 2pole in series)
Group 19: Approvals	Code	Description	Comments
	Z	No approvals	

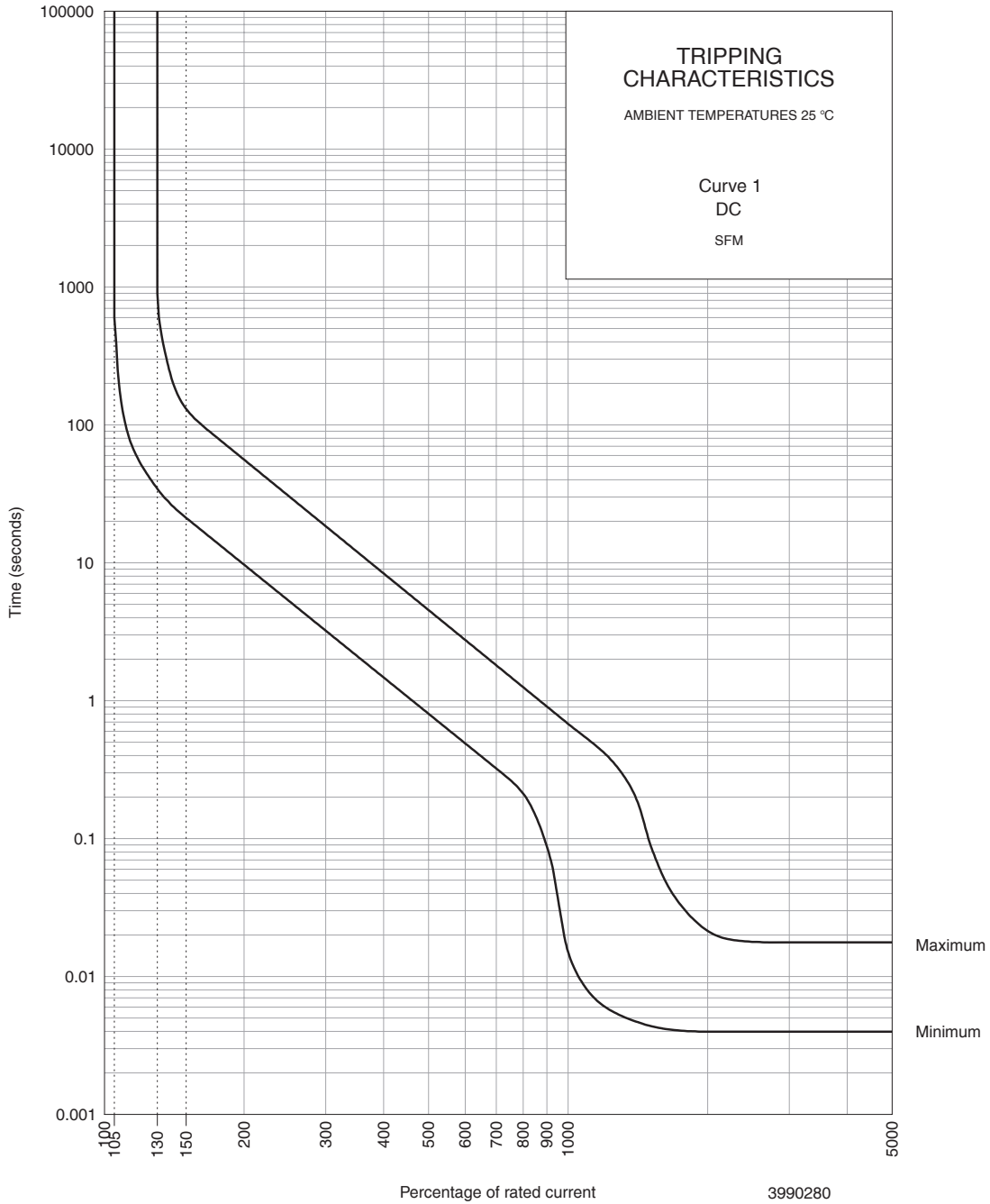
For options not listed, please contact CBI

Note:

1. Ordering Information
 - Apply first set group's 3, 4 & 5 followed by group 15, 16, 17, 18 & 19 for when all the poles are of the same construction.
 - Make use of codes for groups 6 to 14 of the second set to the fourth set followed by groups 15, 16, 17, 18 & 19 for when all the poles are of a different construction.
2. Auxiliary and Shunt Information
 - Auxiliary switch is fitted on the left hand side of the first pole of the unit.
 - Shunt trip is fitted on the left hand side of the unit.
 - If shunt trip with auxiliary switch (G11) is selected, then both auxiliary switch and shunt trip is fitted on the left hand side of the unit.

SFM - Series Miniature Circuit Breakers - DC

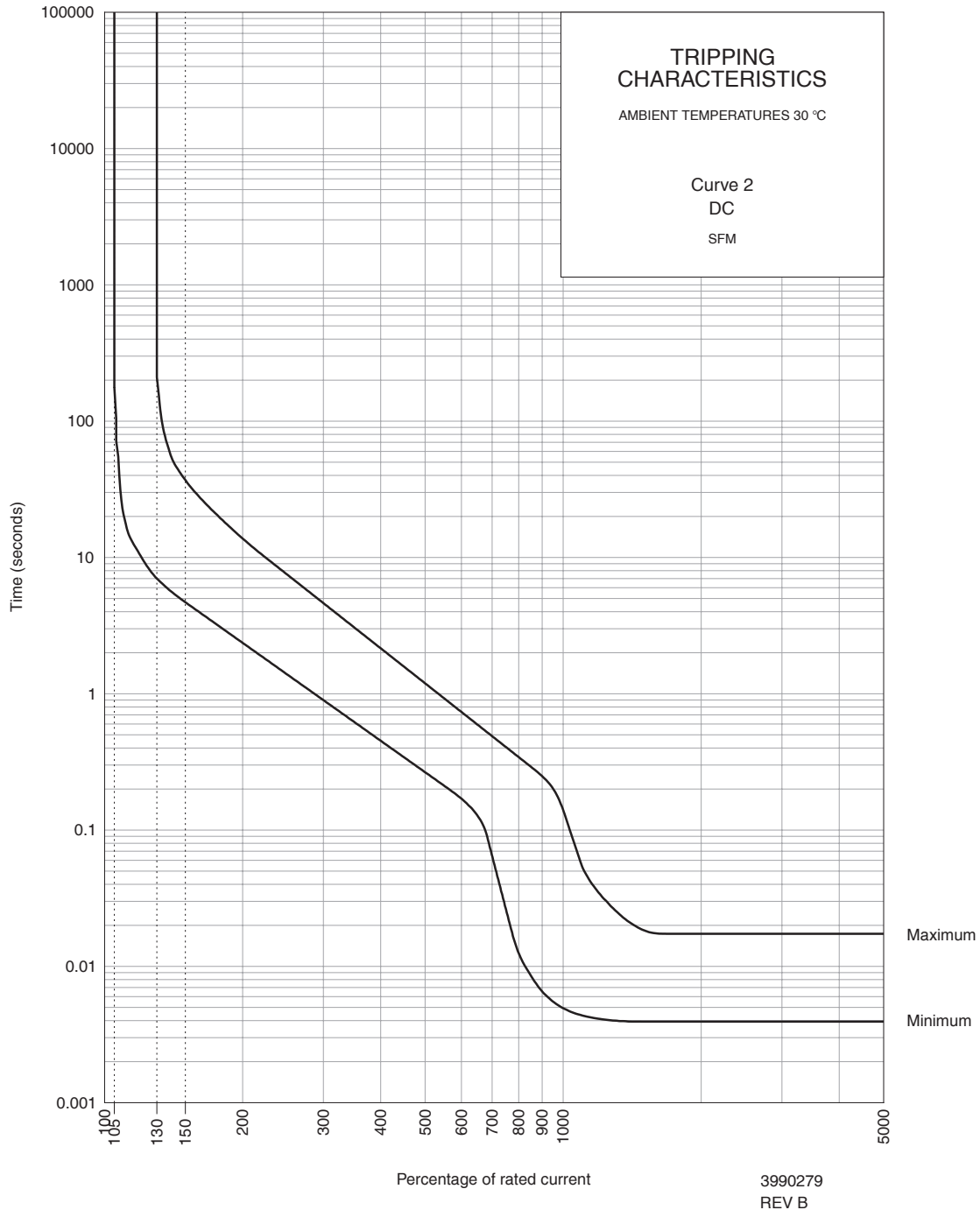
Time Delay Curves



PERCENTAGE OF RATED CURRENT	105%	130%	150%	200%	300%	400%	500%	600%	700%	800%	900%	1000%	1200%
MINIMUM TRIP TIME IN SECONDS	NO TRIP	35	22	9.8	3.3	1.5	0.8	0.48	0.33	0.22	0.09	0.015	-
MAXIMUM TRIP TIME IN SECONDS	NO TRIP	900	130	57	18	8.3	4.5	2.8	1.8	1.25	0.9	0.68	0.42

SFM - Series Miniature Circuit Breakers - DC

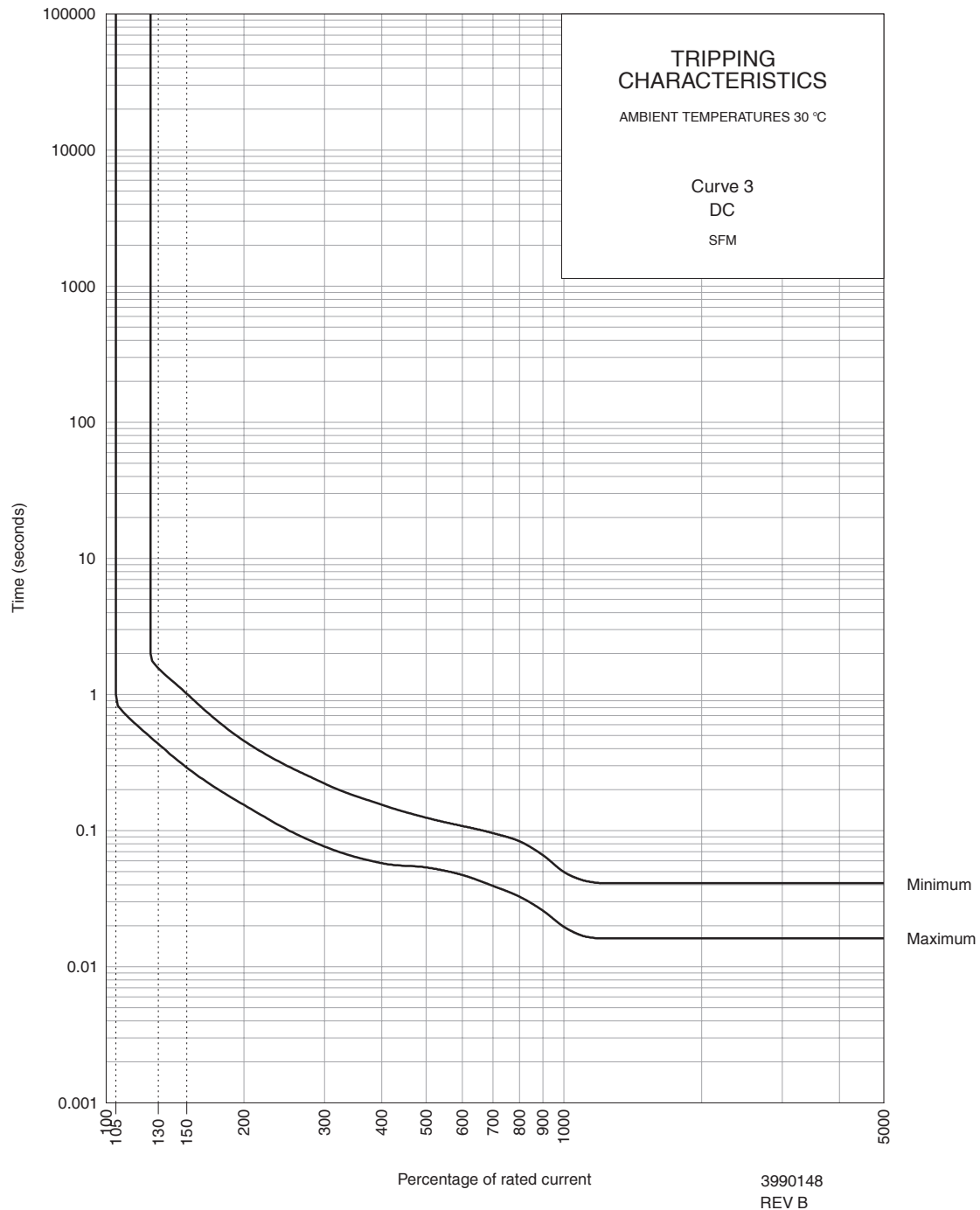
Time Delay Curves



PERCENTAGE OF RATED CURRENT	105%	130%	150%	200%	300%	400%	500%	600%	700%	800%	900%	1000%	1200%
MINIMUM TRIP TIME IN SECONDS	NO TRIP	7	4.7	2.4	0.9	0.47	0.2	0.17	0.06	0.012	0.006	0.005	-
MAXIMUM TRIP TIME IN SECONDS	NO TRIP	210	37	14	4.6	2.1	1.2	0.73	0.48	0.34	0.25	0.14	0.034

SFM - Series Miniature Circuit Breakers - DC

Time Delay Curves

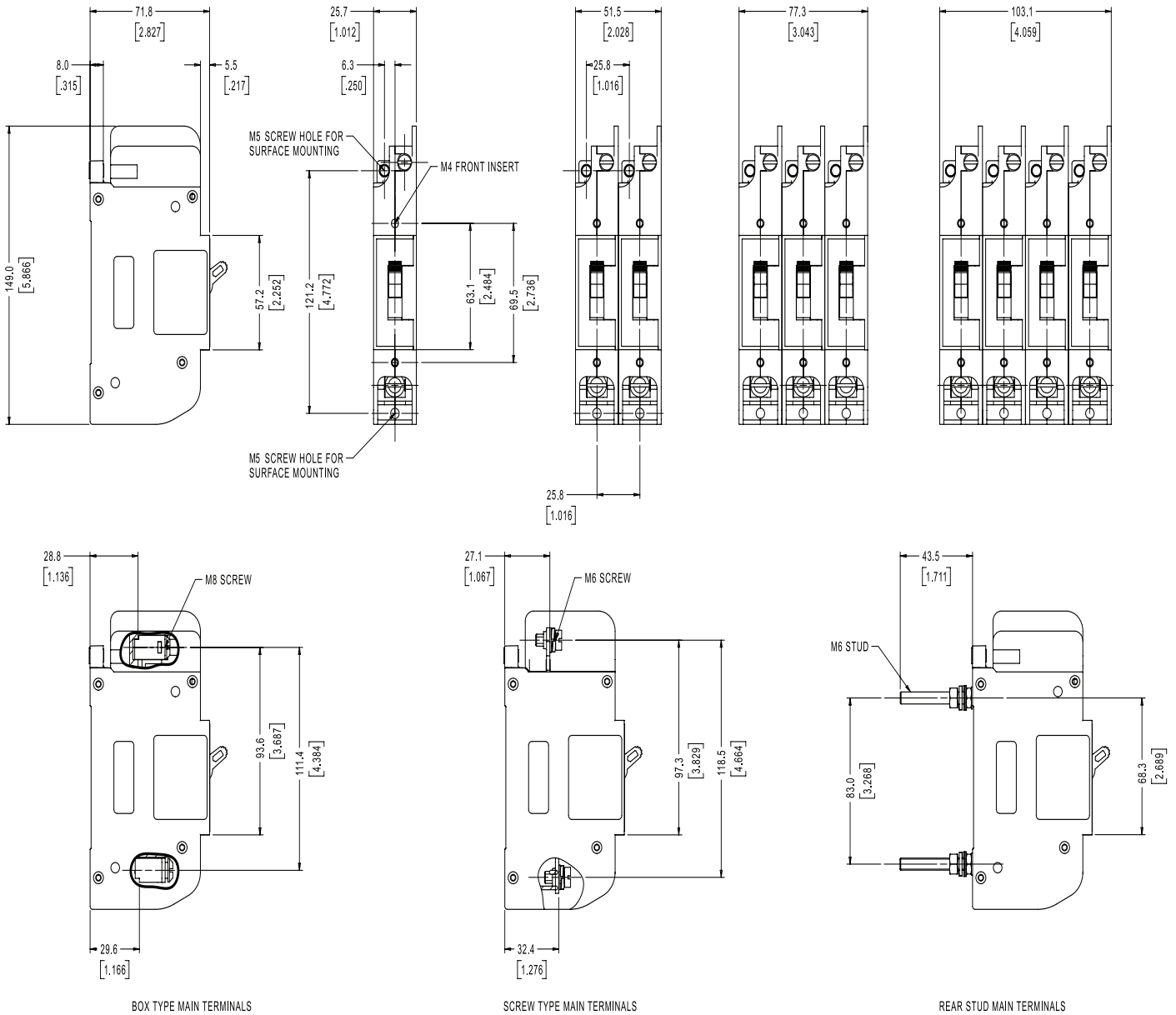


PERCENTAGE OF RATED CURRENT	105%	125%	150%	200%	300%	400%	500%	600%	700%	800%	900%	1000%	1200%
MINIMUM TRIP TIME IN SECONDS	NO TRIP	0.5	0.3	0.15	0.08	0.06	0.056	0.048	0.04	0.033	0.028	0.02	0.016
MAXIMUM TRIP TIME IN SECONDS	NO TRIP	2	1	0.5	0.23	0.17	0.14	0.11	0.1	0.09	0.07	0.05	0.04

* The published time delay curves are generated at 30°C ambient temperature with the circuit breaker mounted in the up-right position. The "must hold", "must trip" and "instantaneous trip" current values are not affected by temperature, although delay time for the other operating current values may have to be adjusted using the temperature compensation curve which is available on request.

SFM - Series Miniature Circuit Breakers - DC

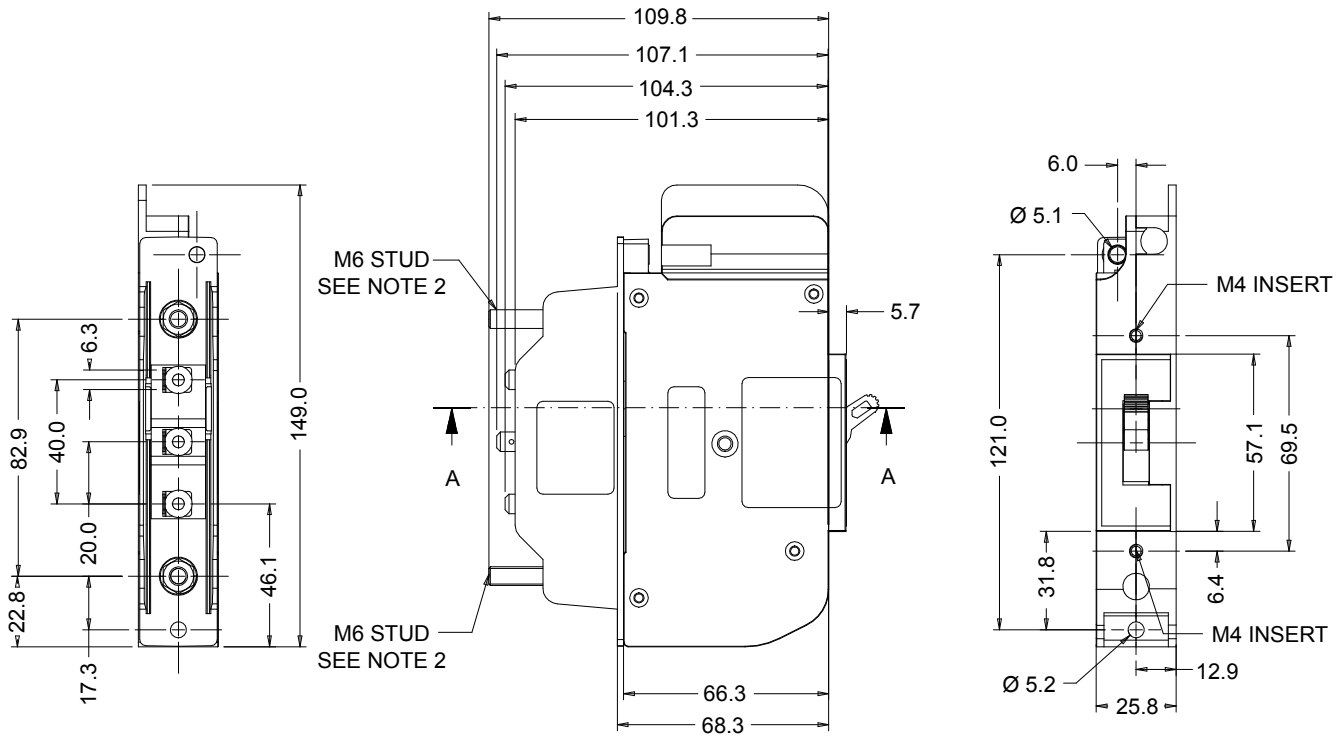
Outline Dimensions: Front & Surface Mount



TOLERANCE ± 0.4 UNLESS OTHERWISE SPECIFIED
(DIMENSION IN BRACKETS ARE IN INCHES)

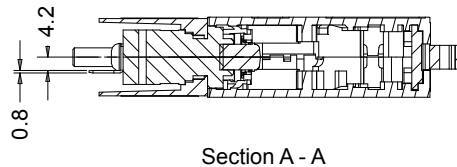
SFM - Series Miniature Circuit Breakers - DC

Outline Dimensions: Auxiliary Switch



NOTES:

- 1 - GENERAL TOLERANCE 0.4 mm
- 2 - PRODUCT CAN BE OFFERED IN STUD TERMINALS (SHOWN), BOX TERMINALS AND LUG TERMINALS



Please review our Customer Terms and Conditions on www.cbi-lowvoltage.co.za

All rights reserved. Unless otherwise indicated, all materials on these pages are copyrighted by CBI (Pty) Ltd. No part of these pages, either text or image may be used for any purpose other than personal use. Therefore, reproduction, modification, storage in a retrieval system or retransmission, in any form or by any means, electronic, mechanical or otherwise, for reasons other than personal use, is strictly prohibited without prior written permission. CBI (Pty) Ltd reserves the right to alter any details of this document without notice and while every effort is made to ensure the accuracy of the content, no warranty is given as to the accuracy of this document and no responsibility will be accepted for error or misinterpretation and any resulting loss.

© CBI (Pty) Ltd. All Rights Reserved.

AUSTRALIA

CBI-electric: Australia
27 Wedgewood Rd, Hallam
Victoria 3803 Australia
Tel: +61 3 8752 9300
Fax: +61 3 9796 5407
Email: sales@cbi-electric.com.au
Website: www.cbi-electric.com.au

INDIA

CBI-electric: Asia
A1, Pushpagiri Residency, 1st Cross
2nd Main, Jyothi Nagar, B.G Road
Bengaluru 560083, India
Tel: +91-9880553153
Email: salesasia@cbi-electric.com
Website: www.cbibreakers.com
Website: www.cbi-lowvoltage.com

SOUTH AFRICA

CBI-electric: low voltage
Tripswitch Drive Elandsfontein
Gauteng South Africa
Tel: +27 11 928 2000
Fax: +27 11 392 2354
Email: cbi@cbi-electric.com
internationalsales@cbi-electric.com
Website: www.cbi-lowvoltage.com

USA

CBI-electric: North America
35 E. Uwchlan Ave Suite 328
Exton PA 19341 USA
Tel: +1 610 524 9949
Fax: +1 610 524 9945
E-mail: info@cbibreakers.com
Website: www.cbibreakers.com