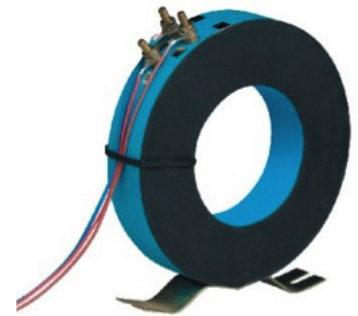
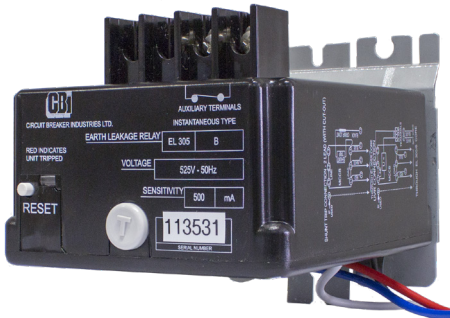


EL305 / EL306 - Earth Leakage Relays

The EL305 and EL306 earth leakage relays detect residual currents and are designed to trip the supply MCCB. They have a large 50 mm diameter for conductor access or can be ordered with up to 190 mm external CTs. These earth leakage relays are designed with compact thermoplastic cases.



Features

- Easy to install, convenient clip-tray mounting
- 50 mm diameter for conductor access
- Optional remote CTs (70, 105, 152, 190 mm dia.) Available for larger conductors, or for remote sensing
- Earth leakage test button to verify that the power supply, sensing and detecting circuits as well as the MCCB tripping mechanism is in working order
- Remote tripping facility available on request
- Highly stable on long cables and on motor starting
- Available in instantaneous (EL305) or time delay (EL306) types
- Immune to the effects of pulsating DC
- High immunity to nuisance tripping due to high voltage surges, e.g. lightning
- Latching trip with indicator flag

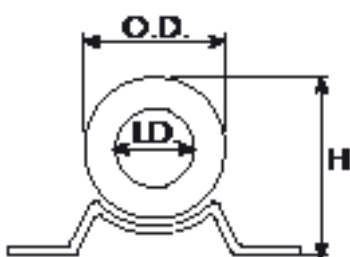
Applications

- Used in heavy industrial and mining applications to detect leakage currents.

EL305 / EL306 - Earth Leakage Relays

Technical Data

Product Type	EL305	EL306
Rated Voltage (V)	Specify: 110, 220, 380, 525 Vac	110 - 525 Vac
Tripping Mechanism	Can be used in conjunction with a shunt trip or UVR operated circuit breaker or trippable isolator	
Mounting Options	Surface mount, Mount plate included. Screw, rivet or weld mount plate in place, then clip relay in. Clip tray	
Ambient Operating Temperature	-5 °C to +60 °C	
Time Delay Curves	Instantaneous < 0.040 s	Inverse time delay (at 20 A) 375 mA : 0.25 s 500 mA : 0.5 s 1000 mA : 1.0 s 2000 mA : 1.5 s 5000 mA : 2.0 s
Weight	0.8 kg	1 kg
Pollution Degree	PD2 - Normally only non-conductive pollution occurs. Temporary conductivity caused by condensation is to be expected.	
Connections	Flyleads: supply and shunt trip connection. Screw terminals for N/C contact.	

Remote CT with Mounting Bracket					
	*Dimensions	RC3	RC4	RC6	RC8
	ID	70	105	152	190
	OD	140	160	250	315
	H	152	187	265	332
Weight		1,5 kg	1,7 kg	6,1 kg	9,0 kg

* Typical Dimensions

EL305 / EL306 - Earth Leakage Relays

Long Code

Example Code: EL3050030110--

Group	1	2	3	4	5
Requirement	Type	Sensitivity 30 mA	Voltage 110 Vac	Remote CT None	Remote Test Button None
Long Code	EL305	0030	110	-	-

Ordering Information

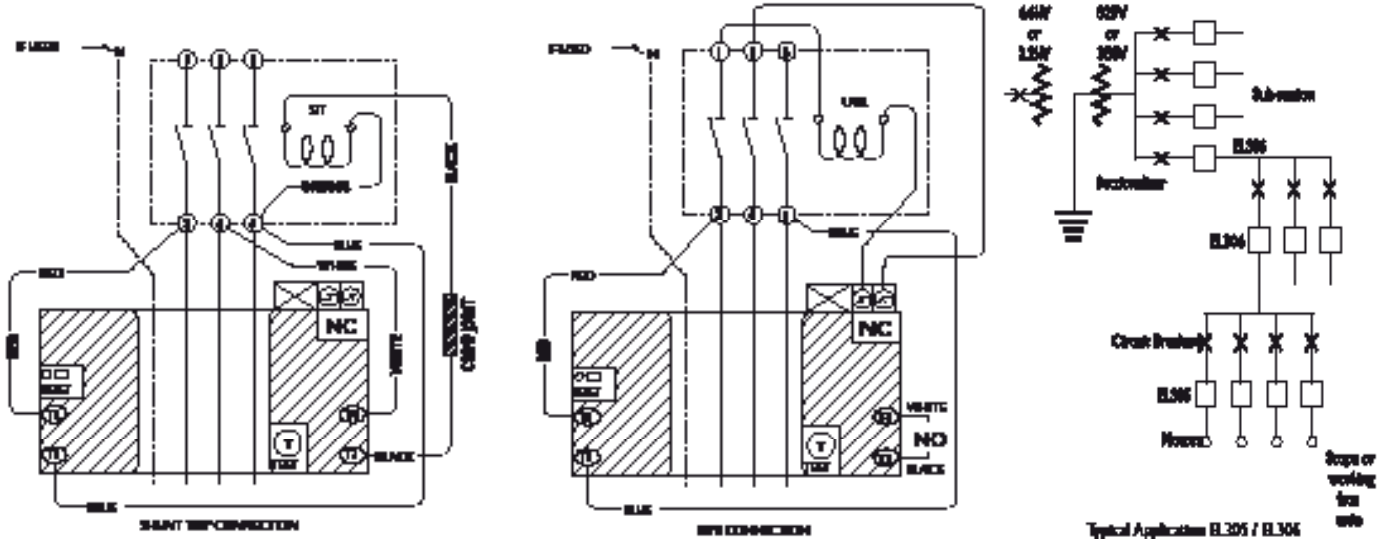
Group	Code	Description	Comments
Group 1: Type	EL305	Instantaneous unit	
	EL306	Time delay unit	
Group 2: Sensitivity	Code	Description	Comments
	0030	30 mA	For availability by type, refer to Table 1 below
	0050	50 mA	
	0100	100 mA	
	0125	125 mA	
	0250	250 mA	
	0375	375 mA	
	0500	500 mA	
	1000	1000 mA	
	2000	2000 mA	
	5000	5000 mA	
Group 3: Voltage	Code	Description	
	110	110 Vac	EL305
	220	220 Vac	
	380	380 Vac	
	525	525 Vac	
	000	110 - 525 Vac	
		EL306	
Group 4: Remote CT	Code	Description	Comments
	-	Not applicable	For remote CT availability, refer to table 1
	3	3" Remote CT	
	4	4" Remote CT	
	6	6" Remote CT	
8	8" Remote CT		
Group 5: Remote Test Button	Code	Description	Comments
	-	Not applicable	
	T	Remote test button	

Table 1: Available Configurations

Available configurations for sensitivity and CTs										
Sensitivity		EL305				EL306				
mA	Integrated	Remote CT				Integrated	Remote CT			
		3	4	6	8		3	4	6	8
30	•									
50	•									
125	•									
250	•	•	•							
375						•	•	•		
500	•	•	•	•	•	•	•	•		
1000	•	•	•	•	•	•	•	•	•	
2000	•	•	•	•	•	•	•	•	•	•
5000	•	•	•	•	•	•	•	•	•	•

EL305 / EL306 - Earth Leakage Relays

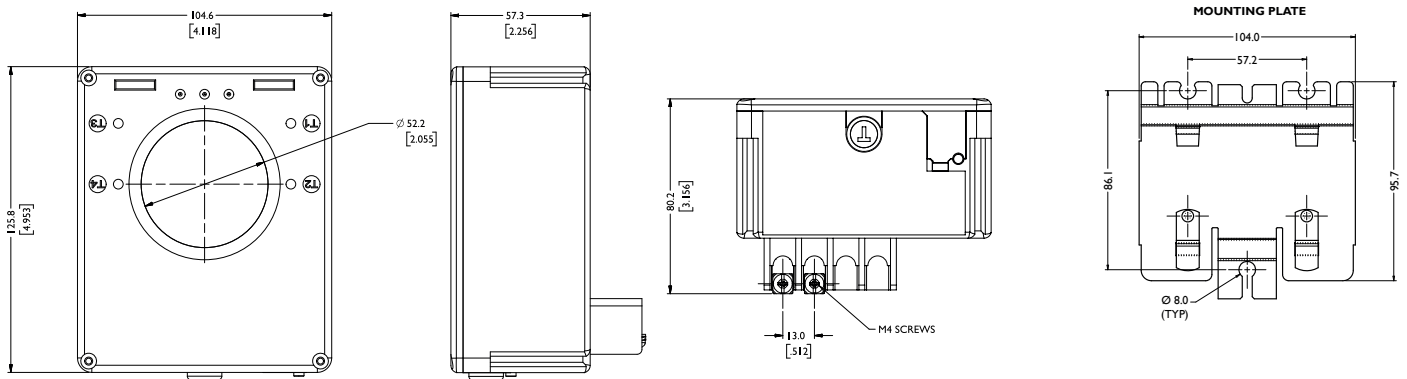
Application Information



Note:

1. The size and number of conductors will determine whether to use a remote CT
2. The EL305 / EL306 relay and remote CT must be a matching pair (factory calibrated)
3. The supply voltage of the EL305 units must be specified at the time of ordering
4. The maximum load for the shunt trip circuit is 550 VA
5. Voltage dips of up to 40% have no effect on the sensitivity
7. The EL305 relay is an instantaneous type
8. The EL306 is a time delay type

Outline Dimensions



© 2016.09 CBI (Pty) Ltd. All Rights

Please review our Customer Terms and Conditions on www.cbi-lowvoltage.co.za

All rights reserved. Unless otherwise indicated, all materials on these pages are copyrighted by CBI (Pty) Ltd. No part of these pages, either text or image may be used for any purpose other than personal use. Therefore, reproduction, modification, storage in a retrieval system or retransmission, in any form or by any means, electronic, mechanical or otherwise, for reasons other than personal use, is strictly prohibited without prior written permission. CBI (Pty) Ltd reserves the right to alter any details of this document without notice and while every effort is made to ensure the accuracy of the content, no warranty is given as to the accuracy of this document and no responsibility will be accepted for error or misinterpretation and any resulting loss.

AUSTRALIA
CBI-electric: Australia
 27 Wedgewood Rd, Hallam
 Victoria 3803 Australia
 Tel: +61 3 8752 9300
 Fax: +61 3 9796 5407
 Email: sales@cbi-electric.com.au
 Website: www.cbi-electric.com.au

INDIA
CBI-electric: Asia
 A1, Pushpagiri Residency, 1st Cross
 2nd Main, Jyothi Nagar, B.G Road
 Bengaluru 560083, India
 Tel: +91-9880553153
 Email: salesasia@cbi-electric.com
 Website: www.cbibreakers.com
 Website: www.cbi-lowvoltage.com

SOUTH AFRICA
CBI-electric: low voltage
 Tripswitch Drive Elandsfontein
 Gauteng South Africa
 Tel: +27 11 928 2000
 Fax: +27 11 392 2354
 Email: cbi@cbi-electric.com
internationalsales@cbi-electric.com
 Website: www.cbi-lowvoltage.com

USA
CBI-electric: North America
 35 E. Uwchlan Ave Suite 328
 Exton PA 19341 USA
 Tel: +1 610 524 9949
 Fax: +1 610 524 9945
 E-mail: info@cbibreakers.com
 Website: www.cbibreakers.com