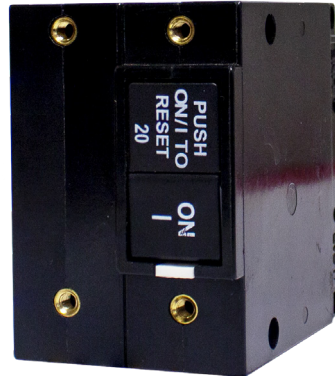


C-Frame MKV - Series Circuit Breakers



The C-Frame MKV is a Robust low profile circuit breaker designed specifically for higher breaking capacity and protection. It is capable of providing high levels of short circuit protection and is suitable for a variety of applications which requires high levels of power density.

The C-Frame MKV circuit breaker is used in power distribution units, lighting control and in a variety of other equipment. This product can be structured according to your preference and is available in 1 or 2 poles with a breaking capacity of 10 kA

Features

- AC circuit breaker
- Hydraulic-magnetic technology
- 100% rating capability independent of ambient temperature
- Up to two poles
- EAC pending, CE certified
- **Ratings 1 A to 20 A@ 10 kA AIC**
- Precision tripping characteristics

Applications

- Telecommunications, datacoms
- UPS equipment
- Mobile power generation equipment
- Alternative energy equipment
- Lighting control

Approvals



Hydraulic-Magnetic Circuit Breakers 100% rated, unaffected by ambient temperature

C-Frame MKV - Series Circuit Breakers

Technical Data

Product Type	C-Frame MKV
Ambient Operating Temperature	-40 °C to +85 °C
Endurance	10 000 operations, 8500 without current, 1500 with current (IEC60947-2 Clause 8.3.3.4)* 10 000 operations, 6000 with current, 4000 without current (UL489 Clause 7.1.5)* As per UL489 or minimum of 1000 operations with current
Dielectric Strength	1000 - 2000 Vac for one minute (Clause 9.7)* 1000 Vac plus twice the rated voltage for one minute (UL489, Clause 7.1.9; UL489A Clause 8)*
Weight	70 g per pole (unpacked)
Altitude	Certification tests done at altitude ≈ 2000 metres. Will operate at higher altitudes.
Flammability	I2 - No ignition at 850 °C with an oxygen index of ≥ 32
Toxicity	F1 - Smoke index of ≤ 20 which determines the fume class
Pollution Degree	PD2 - Normally only non-conductive pollution occurs. Temporary conductivity caused by condensation is to be expected.

* Refer to the standard for details

Product Type	Circuit Breaker
Approvals	UL 489
Number of Poles	1, 2
Maximum Voltages	240 Vac
Current Ratings	1 - 20 A
AIC	10 kA

Product Type	Circuit Breaker
Approvals	IEC60947-2
Number of Poles	1, 2
Maximum Voltages	240 Vac
Current Ratings	1 - 20 A
Ultimate S/C Breaking Capacity (Icu)	5 kA

Product Type	Circuit Breaker
Approvals	GB 14048.2
Number of Poles	1, 2
Maximum Voltages	240 Vac
Current Ratings	1 - 20 A
Ultimate S/C Breaking Capacity (Icu)	5 kA

Torque Table

Description	Size	Torque Value
Front Inserts	M3	0.5 - 0.8 N.m
	6 - 32	5 - 7 lbf.in
Rear Screws	M5	1.7 - 2.3 N.m
	10 - 32	15 - 20 lbf.in

C-Frame MKV - Series Circuit Breakers

Ordering Information

Group 1: Frame	Code	Description			Comments			
	C	C-Frame						
Group 2: Type	Code	Description			Comments			
	K	C-Frame MKV						
Group 3: Mounting	Code	Description			Comments			
	S	Front mount rectangular aperture flush rocker handle			Maximum penetration depth into the mounting screw is 5.4 mm, 0.21 inch			
Group 4: Handle Type	Code	Description			Comments			
	H	Flush Rocker Handle			One colour handle			
	M	Flush Rocker Handle, Two Tone			Two colour handle			
	Q	Flush rocker handle, Push to Reset; Use Test button to switch OFF			One colour handle			
	R	Flush rocker handle, Push to Reset- Two Tone; Use Test button to switch OFF.			Two colour handle			
	Y	No handle, for reduced handle versions			No handle			
Group 5: Termination	Code	Description			Comments			
	4X	Flush Rear Screw Terminal, (M5 or 10 - 32, 37.8 mm between line and load terminals)						
	4Y	Flush Rear Screw Terminal, (M5 or 10 - 32, 31.75 mm between line and load terminals)						
Group 6: Number of Poles	Code	Description			Code	Description		
	1	Single pole - METRIC			A	Single pole - IMPERIAL		
	2	Double pole - METRIC			B	Double pole - IMPERIAL		
Group 7: Rated Voltage and Frequency - Main Circuit	Code	Description			Comments			
	J	240 Vac single pole						
	S	240 Vac multipole pole						
Group 8: Time Delay Characteristics (Curve Details); Pulse Tolerance at 10 ms	Code	Description	System	Pulse Tolerance (X In)	Code	Description	System	Pulse Tolerance (X In)
	AS	Long time delay 50 / 60 Hz	AC	8 - 10	BS	Medium time delay 50 / 60 Hz	AC	8 - 10
	OP	Instantaneous trip 50 / 60 Hz	AC	None	CS	Short time delay 50 / 60 Hz	AC	8 - 10
Group 9: Rated Current (Main Circuit) - Examples Only - Specific Amp Ratings Possible	Code	Description			Comments			
	0100	1 A			Examples only - specific Amp ratings possible from 1 A - 20 A			
	0500	5 A						
	1000	10 A						
	1500	15 A						
2000	20 A							
Group 10: Circuit Configuration (Circuit Breaker's Internal Construction)	Code	Description			Comments			
	BX	Circuit breaker (Series trip, current coil in series)						
Group 11: Auxiliary and Alarm Switches (No approvals)	Code	Description			Comments			
	X	Not applicable						
Group 12: Voltage and Current Ratings for Dual Control, Shunt and Relay Trip Cons	Code	Description			Comments			
	XX	Not applicable						

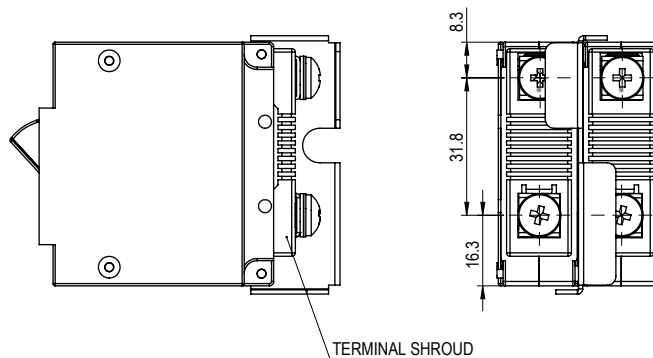
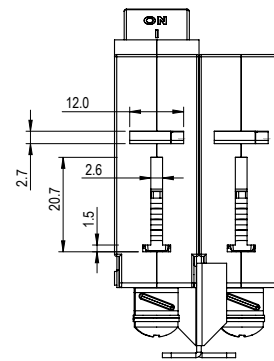
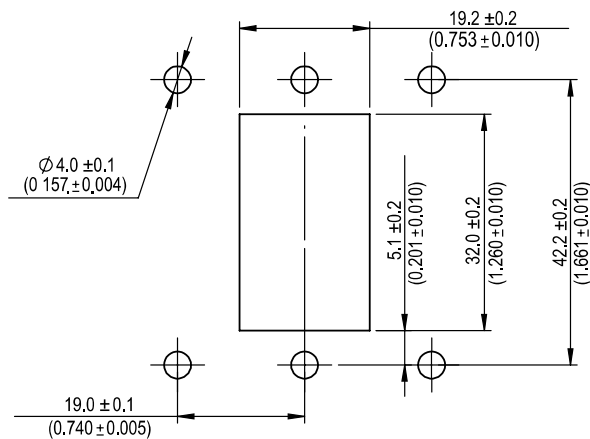
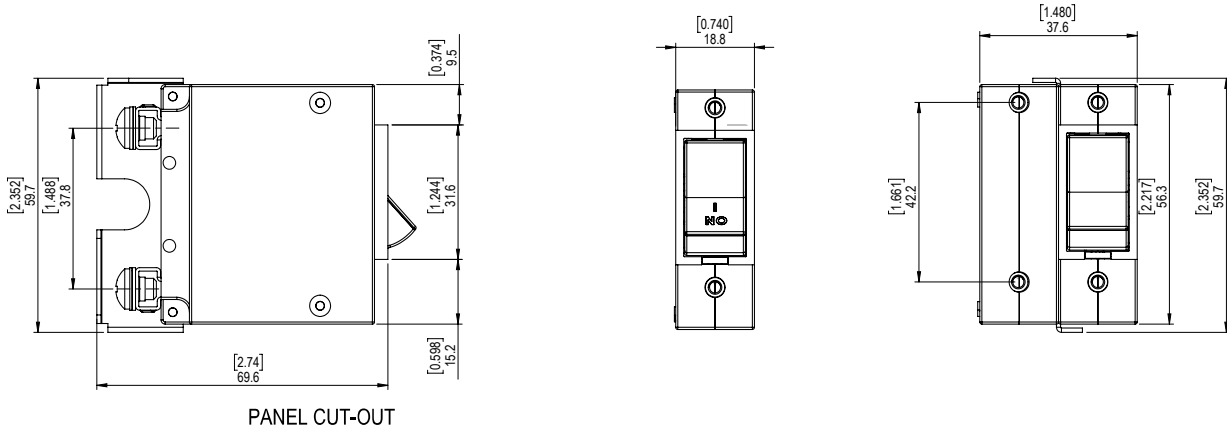
C-Frame MKV - Series Circuit Breakers

Ordering Information

Code	Description	Comments
Group 13: Voltage and Current Ratings for Dual Control, Shunt and Relay Trip Construction		
X	Not applicable	
Group 14: Future use		
X	Not applicable	
Group 15: Customer specific		
X	Not applicable	
S	Customer specific	
Group 16: Handle Colour		
B	BLACK / WHITE MARKING.	Black Colour Not available on the Two Tone Flush Rocker
G	GREEN HANDLE, WHITE MARKING (used with Code H or Q on group 4) OR BLACK HANDLE, GREEN INDICATOR AND MARKING (used with Code M or R ON group 4 - Two Tone)	Refer to Group 4
R	RED HANDLE, WHITE MARKING (used with Code H or Q on group 4) OR BLACK HANDLE, RED INDICATOR AND MARKING (used with Code M or R ON group 4 - Two Tone)	Refer to Group 4
W	WHITE HANDLE, BLACK MARKING (used with Code H or Q on group 4) OR BLACK HANDLE, WHITE INDICATOR AND MARKING (used with Code M or R ON group 4 - Two Tone)	Refer to Group 4
X	No handle	
Y	YELLOW HANDLE, WHITE MARKING (used with Code H or Q on group 4) OR BLACK HANDLE, YELLOW INDICATOR AND MARKING (used with Code M or R ON group 4 - Two Tone)	Refer to Group 4
Group 17: Handle Markings		
H	I - O / ON - OFF and AMP RATING	Not applicable
I	ON - I marked on Functional handle, PUSH TO RESET and AMP RATING marked on non-functional handle	
X	Not applicable	
Group 18: Mounting Orientation for Markings		
1	Breaker mounted in Vertical Axis with LINE at the BOTTOM, Marking reads left to right - normal horizontal	
2	Breaker mounted in Horizontal Axis with LINE at the RIGHT HAND SIDE, Marking reads left to right - normal horizontal	
H	Breaker mounted in Horizontal Axis with LINE at the LEFT HAND SIDE, Marking reads left to right - normal horizontal	
V	Breaker mounted in Vertical Axis with LINE at the TOP, Marking reads left to right - normal horizontal	
X	Not Applicable	
Group 19: Front Plate Marking and Test Button		
2	Black Front Plate, No Marking, Rocker Handle, Test Button	
B	Black front plate no marking	
Group 20: Inter-phase Barrier		
C	Z Inter-phase barrier	
X	Not applicable	
Group 21: Approvals (Product Normally Approved to)		
2	UL listed UL489, CUL, IEC/EN60947-2, CE, UKCA	Normally certified to these specifications
Z	No Approvals	
Group 22: Safety Marks		
C	CCC, GB14048.2	CCC. Refer to Certificate

C-Frame MKV - Series Circuit Breakers

Outline Dimensions: C-Frame MKV



Note:
 1. GENERAL TOLERANCE 0.2mm UNLESS OTHERWISE STATED
 2. DIMENSIONS IN mm, BRACKETED DIMENSIONS IN INCHES.

Please review our Customer Terms and Conditions on www.cbi-lowvoltage.co.za

All rights reserved. Unless otherwise indicated, all materials on these pages are copyrighted by CBI (Pty) Ltd. No part of these pages, either text or image may be used for any purpose other than personal use. Therefore, reproduction, modification, storage in a retrieval system or retransmission, in any form or by any means, electronic, mechanical or otherwise, for reasons other than personal use, is strictly prohibited without prior written permission. CBI (Pty) Ltd reserves the right to alter any details of this document without notice and while every effort is made to ensure the accuracy of the content, no warranty is given as to the accuracy of this document and no responsibility will be accepted for error or misinterpretation and any resulting loss.

AUSTRALIA

CBI-electric: Australia
 27 Wedgewood Rd, Hallam
 Victoria 3803 Australia
 Tel: +61 3 8752 9300
 Fax: +61 3 9796 5407
 Email: sales@cbi-electric.com.au
 Website: www.cbi-electric.com.au

INDIA

CBI-electric: Asia
 A1, Pushpagiri Residency, 1st Cross
 2nd Main, Jyothi Nagar, B.G Road
 Bengaluru 560083, India
 Tel: +91-9880553153
 Email: salesasia@cbi-electric.com
 Website: www.cbibreakers.com
 Website: www.cbi-lowvoltage.com

SOUTH AFRICA

CBI-electric: low voltage
 Tripswitch Drive Elandsfontein
 Gauteng South Africa
 Tel: +27 11 928 2000
 Email: cbi@cbi-electric.com
 Email: international@cbi-electric.com
 Website: www.cbi-lowvoltage.com

USA

CBI-electric: North America
 35 E. Uwchlan Ave Suite 328
 Exton PA 19341 USA
 Tel: +1 610 524 9949
 Fax: +1 610 524 9945
 E-mail: info@cbibreakers.com
 Website: www.cbibreakers.com