

CBI-electric: low voltage Wiring Accessories, enhancing your lifestyle!

Wiring Accessories



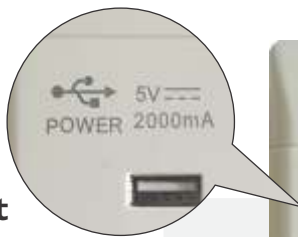
Plastic Range

Metal Range

Brushed Stainless Steel Range

C03-T

Plastic Range also available in Silver Shimmer excluding USB socket



USB / SA / Euro Socket
see page 3

Plastic Range

2 x 4 Light Switches (250 V AC, 16 A, IP20)

WA

Order No.	Description	Pack Sizes	Price Ea.
L120-P	1 lever 1 Way Light Switch White	5	28.00
L121-P	1 lever 2 Way Light Switch White	5	31.00
L122-P	2 lever 1 Way Light Switch White	5	37.00
L123-P	2 Lever 2 Way Light Switch White	5	49.00
L124-P	3 Lever 1 Way Light Switch White	5	50.00
L125-P	4 Lever 1 Way Light Switch White	5	57.00

Order No.	Description	Price Ea.
L120C03-T	1 Lever 1 Way Light Switch Silver Shimmer	68.00
L121C03-T	1 Lever 2 Way Light Switch Silver Shimmer	72.00
L122C03-T	2 Lever 1 Way Light Switch Silver Shimmer	78.00
L123C03-T	2 Lever 2 Way Light Switch Silver Shimmer	89.00
L124C03-T	3 Lever 1 Way Light Switch Silver Shimmer	90.00
L125C03-T	4 Lever 1 Way Light Switch Silver Shimmer	98.00



L120-P / L121-P L122 / L123-P L124-P L125-P

4 x 4 Light Switches (250 V AC, 16 A, IP20)

WA

Order No.	Description	Pack Sizes	Price Ea.
L126-P	4 Lever 1 Way Light Switch White	5	73.00
L127-P	6 Lever 1 Way Light Switch White	5	93.00

Order No.	Description	Price Ea.
L126C03-T	4 Lever 1 Way Light Switch Silver Shimmer	127.00
L127C03-T	6 Lever 1 Way Light Switch Silver Shimmer	147.00



L126-P L127-P

2 x 4 Grid Plates & 4 x 4 Grid Plates

WA

Order No.	Description	Pack Sizes	Price Ea.
G000-P	Grid Plate 1LVR White	10	19.00
G001-P	Grid Plate 2LVR White	10	19.00
G002-P	Grid Plate 3LVR White	10	19.00
G003-P	Grid Plate 4LVR White	10	19.00
G004-P	Grid Plate 1LVR White	10	30.00
G005-P	Grid Plate 2LVR White	10	30.00
G009-P	Grid Plate Blank White	10	19.00
S013R-P	2 Piece Top and Bottom Surround	10	8.00

Order No.	Description	Price Ea.
G000C03-T	Grid Plate 1LVR Silver Shimmer	59.00
G001C03-T	Grid Plate 2LVR Silver Shimmer	54.00
G002C03-T	Grid Plate 3LVR Silver Shimmer	54.00
G003C03-T	Grid Plate 4LVR Silver Shimmer	59.00
N/A	N/A	N/A
N/A	N/A	N/A
G009C03-T	Grid Plate Silver Shimmer	56.00
N/A	N/A	N/A



G000-P G001-P G002-P G003-P G004-P G005-P G009-P S013R-P

4 x 4 Grid Plates

WA

Order No.	Description	Pack Sizes	Price Ea.
G010-P	Grid Plate Blank White	10	22.00
S014R-P	2 Piece Top and Bottom Surround	10	13.00

Order No.	Description	Price Ea.
G010C03-T	Grid plate Blank Silver Shimmer	63.00
	N/A	N/A



G010-P S014R-P

Should you require a special combination please contact CBI.

Plastic Range

2 x 4 Switched Socket Outlets (250 V AC, 16 A, IP20)				WA		
Order No.	Description	Pack Sizes	Price Ea.	Order No.	Description	Price Ea.
PS672-P	Single Switched Socket Outlet Vertical Standard White	5	57.00	PS672C03-T	Single Switched Socket Outlet Vertical Silver Shimmer	98.00
PS673-P	Single Switched Socket Outlet Standard Horizontal White	5	57.00	PS673C03-T	Single Socket Outlet Horizontal Silver Shimmer	98.00
PS681-P	SA/EU combined Socket Outlet Vertical White	5	123.00	PS681C03-T	SA/EU combined Socket Outlet Vertical Silver Shimmer	198.00



PS672-P



PS673-P



PS681-P

4 x 4 Switched Socket Outlets				WA		
4 x 4 SA / Euro / USB Combo Socket Outlets (250 V AC, 16 A, IP20)						
Order No.	Description	Pack Sizes	Price Ea.	Order No.	Description	Price Ea.
PS674R-P	Single Switched Socket Outlet White	5	68.00	PS674C03-T	Single Switched Socket Outlet Silver Shimmer	123.00
PS675R-P	Double Switched Socket Outlet White	5	93.00	PS675C03-T	Double Switched Socket Outlet Silver Shimmer	147.00
PS680-P	SA/EU combined Switched Socket Outlet White	5	93.00	PS680C03-T	SA/EU combined Switched Socket Outlet Silver Shimmer	147.00
PS682R-P	6 Way Euro Socket Outlet White	5	93.00	N/A	N/A	N/A
PS683R-P	Single Switched Socket Outlet with 3 x 5 Euro/SA Sockets	5	137.00	N/A	N/A	N/A
PS685USB-P	USB/SA/Euro Switched Socket Outlet	5	419.00	N/A	N/A	N/A



PS674R-P



PS675R-P



PS680-P



PS682R-P



PS683R-P



PS685USB-P

PS685USB-P:
Voltage: 5 V DC
Power: 2000 mA

Round Unswitched Socket Outlets (250 V AC, 6 A, IP20)				WA		
Order No.	Description	Pack Sizes	Price ea.			
PS679-P	Unswitched Socket Outlet Round White	10	29.00			



PS679-P

Should you require a special combination please contact CBI.

Plastic Range

2 x 4 & 4 x 4 Dedicated Switch Socket Outlets (250 V AC, 16 A, IP20) WA

Order No.	Description	Pack Sizes	Price ea.
PS671-P	2 x 4 Single dedicated switched socket outlet Horizontal	5	75.00
PS676R-P	4 x 4 Single dedicated switched socket outlet	5	104.00
PS677R-P	4 x 4 Double dedicated switched socket outlet	5	141.00



PS671-P



PS676R-P



PS677R-P

2 x 4 & 4 X 4 Surface Mount Outlet Box WA

Order No.	Description	Pack Sizes	Price ea.
OB690	Surface mount outlet box (Plastic)	10	19.00
OB878	Surface mount outlet box (Plastic)	10	22.00



OB690



OB878

2 x 4 TV & Telephone Socket Outlets and Bell Push WA

Order No.	Description	Pack Sizes	Price Ea.	Order No.	Description	Price Ea.
TV678-P	Single TV Socket Outlet White	5	105.00	TV678C03-T	Single TV Socket Outlet Silver Shimmer	146.00
B133-P	Bell Push Socket Outlet White	5	46.00	B133C03-T	Bell Push Socket Outlet Silver Shimmer	87.00
T686-P	Single Telephone Socket Outlet (RJ11) White	5	90.00	T686C03-T	Single Telephone Socket Outlet (RJ11) Silver Shimmer	131.00



TV678-P



B133-P



T686-P

4 x 4 Switch Disconnecter 2 & 3 Poles (250 V AC, 60 A, IP20) WA

Order No.	Description	Pack Sizes	Price Ea.	Order No.	Description	Price Ea.
I129-P	Stove Isolator 2P White	4	112.00	I129C03-T	Stove Isolator 2P Silver Shimmer	167.00
I131-P	Stove Isolator 3P White	4	222.00	I131C03-T	Stove Isolator 3P Silver Shimmer	277.00

2 x 4 Switch Disconnecter 2 Poles (250 V AC, 30 A, IP20) WA

Order No.	Description	Pack Sizes	Price Ea.	Order No.	Description	Price Ea.
I130-P	Geyser Isolator 2P White	5	98.00	I130C03-T	Geyser Isolator 2P Silver Shimmer	139.00



I130-P



I129 / I131-P

Should you require a special combination please contact CBI.

Switch Inserts

Neon, TV, DSTV and Telephone Accessories				WA		
Order No.	Description	Pack Sizes	Price Ea.	Order No.	Description	Price Ea.
TI657-P	Telephone Socket Insert RJ11 White	10	73.00	TI657C03-T	Telephone Socket Insert RJ11 Silver Shimmer	85.00
II662-P	Indication Light Insert Red	10	36.00	N/A	N/A	N/A
TVI663-P	Standard TV Connection Insert White	10	85.00	TVI663C03-T	Standard TV Connection Insert Silver Shimmer	95.00
TVI664-P	DSTV Connection Insert White	10	83.00	TVI664C03-T	DSTV Connection Insert Silver Shimmer	94.00
DI645-P	Data Socket Insert (RJ45) White	10	89.00	N/A	N/A	N/A



TI657-P



II662-P



TVI663-P



TVI664-P



DI645-P

Switch Inserts (IP20)				WA		
Order No.	Description	Pack Sizes	Price Ea.	Order No.	Description	Price Ea.
LI659-P	Light Switch Insert 1 Way 16 A White	10	15.00	LI659C03-T	Switch Insert 1 Way 16 A Silver Shimmer	25.00
LI660-P	Light Switch Insert 2 Way 16 A White	10	21.00	LI660C03-T	Switch Insert 2 Way 16 A Silver Shimmer	31.00
LI661-P	Dimmer Switch Insert 16 A White	10	24.00	LI661C03-T	Dimmer Switch Insert 16A Silver Shimmer	36.00
LI662-P	Blank Switch Insert White	10	5.00	LI662C03-T	Blank Switch Insert Silver Shimmer	15.00
LI663-P	2P Switch Insert 16 A White	10	43.00	LI663C03-T	2P Switch Insert 16 A Silver Shimmer	54.00
II663-P	2P Switch Insert 20 A White	10	59.00	II663C03-T	2P Switch Insert 20 A Silver Shimmer	71.00
LI664-P	Intermediate Switch Insert 16 A White	10	85.00	LI664C03-T	Intermediate Switch Insert 16 A Silver Shimmer	95.00
BI661-P	Bell Push Insert 4 A White	10	28.00	BI661C03-T	Bell Push Insert 4 A Silver Shimmer	38.00



LI659-P



LI660-P



LI661-P



LI662-P



LI663-P / II663-P



BI661-P

Tactile Dimmer Module (LED & Halogen Compatible)				WA	
Order No.	Description	Pack Sizes	Price ea.		
			White	Silver Shimmer	
D500LED-P	Dimmer module (250 V AC, 500 W)	4	433.00	N/A	
D500LEDC-P	Complete Dimmer Unit (G000-P, LI661-P, D500LED-P)	4	461.00	N/A	

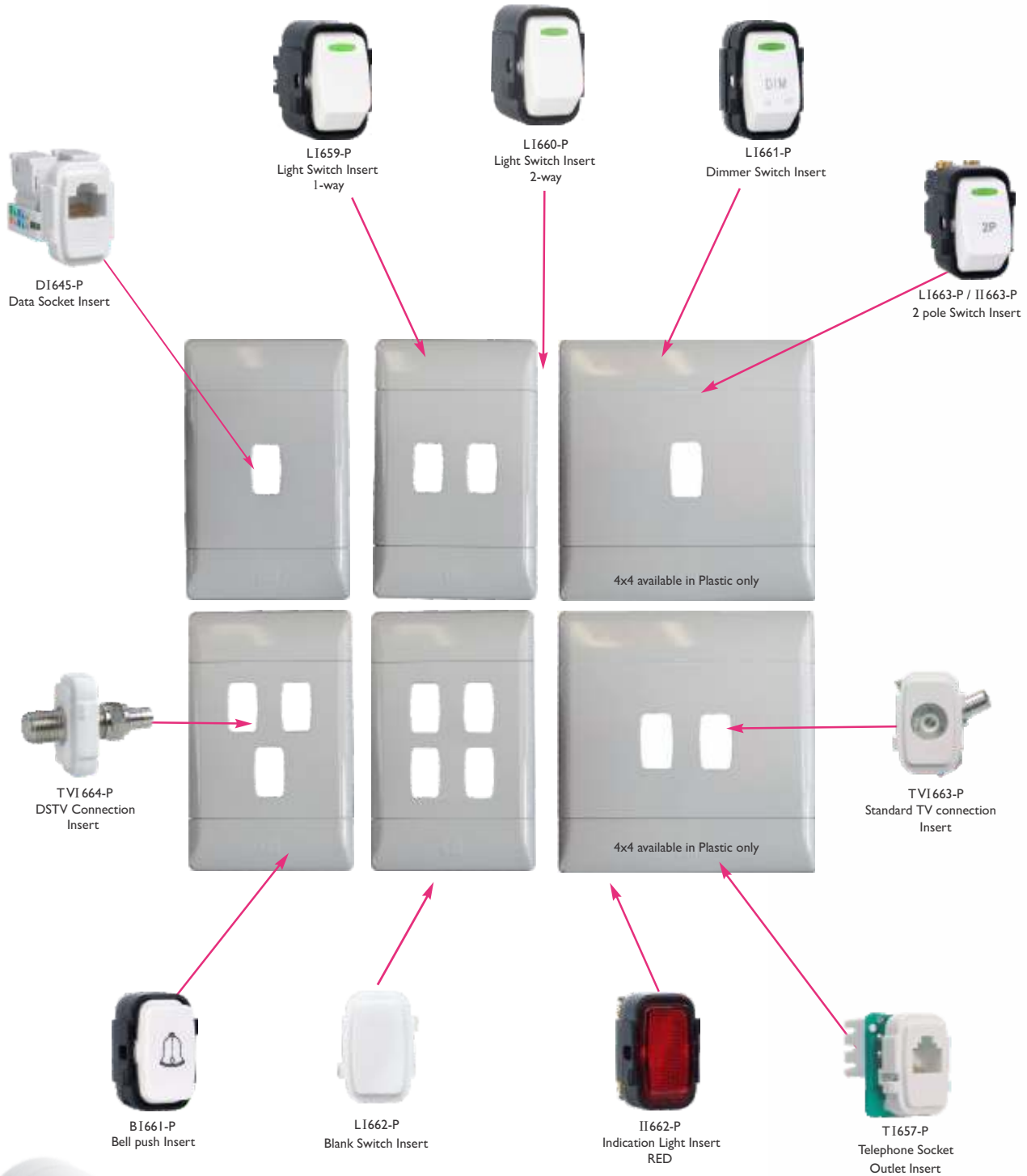


D500LED-P



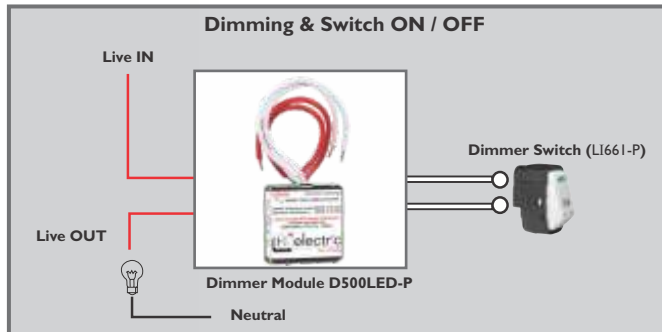
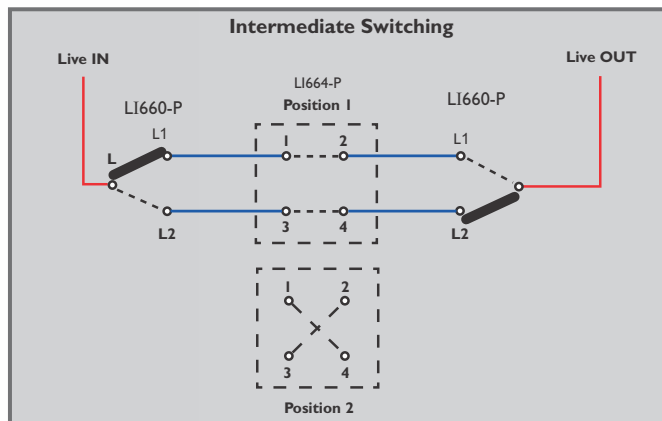
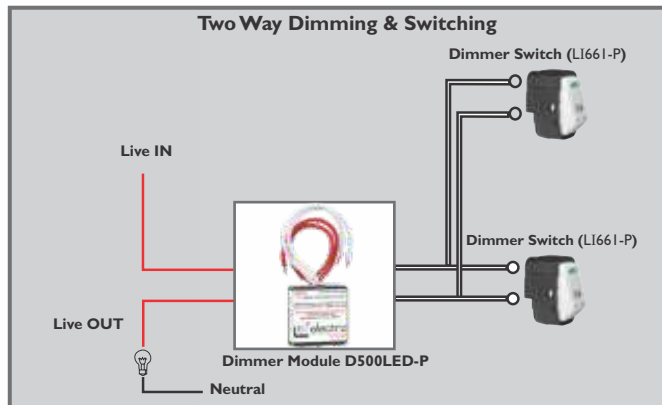
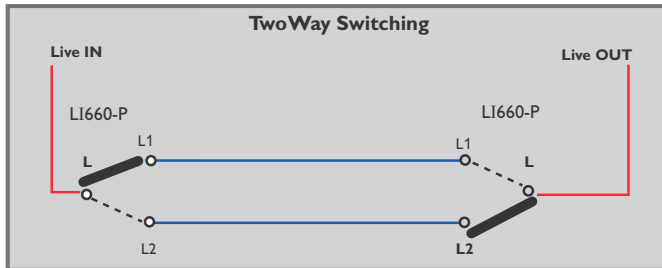
Plastic / Metal White Grid Plate Selection Guide

Switch to Flexibility...



Wiring Accessories

Populate as needed starting from the grid plate as base



D500LED-P

500 W Universal Dimmer (D500LED-P)		WA
LOAD TABLES	Minimum Load	Maximum Load
12 V Low Voltage Electronic Transformer	3 W	500 W
230 V AC Mains Incandescent Halogen		500 W
230 V AC Mains LED Lamps		500 "equivalent" watts

Metal White Range

2 x 4 Light Switches (250 V AC, 16 A IP20)			WA
Order No.	Description	Pack Sizes	Price ea.
L120-M	One lever switch (1-way) Metal White	5	60.00
L121-M	One lever switch (2-way) Metal White	5	64.00
L122-M	Two lever switch (1-way) Metal White	5	73.00
L123-M	Two lever switch (2-way) Metal White	5	83.00
L124-M	Three lever switch (1-way) Metal White	5	88.00
L125-M	Four lever switch (1-way) Metal White	5	101.00



L120-M/L121-M L122-M/L123-M L124-M L125-M

4 x 4 Switched Socket Outlets			WA
4 x 4 Dedicated Switched Socket Outlets (250 V AC, 16 A, IP20)			
Order No.	Description	Pack Sizes	Price ea.
PS674-M	Single switched socket outlet Metal White	5	108.00
PS675-M	Double switched socket outlet Metal White	5	147.00
PS676-M	Single dedicated switched socket outlet Metal Red	5	118.00
PS677-M	Double dedicated switched socket outlet Metal Red	5	151.00
PS680-M	SA/Euro switched socket Metal White	5	166.00



PS674-M PS675-M PS676-M PS677-M PS680-M

2 x 4 Grid Plates			WA
Order No.	Description	Pack Sizes	Price ea.
G000-M	Grid plate (1 lever) Metal White	10	45.00
G001-M	Grid plate (2 lever) Metal White	10	45.00
G002-M	Grid plate (3 lever) Metal White	10	45.00
G003-M	Grid plate (4 lever) Metal White	10	45.00
G009-M	Grid plate (Blank) Metal White	10	25.00



G000-M G001-M G002-M G003-M G009-M

Metal White Range

2 x 4 Dedicated Switched Socket Outlet (250 V AC, 16 A IP20)

WA

Order No.	Description	Pack Sizes	Price ea.
PS673-M	Single switched socket outlet, Horizontal Metal White	5	80.00
PS684-M	Single dedicated switched socket outlet, Horizontal Metal Red	5	99.00



PS673-M



PS684-M

4 x 4 Grid Plate

WA

Order No.	Description	Pack Sizes	Price ea.
G010-M	Grid plate (Blank) Metal White	10	35.00



G010-M

4 x 4 Switched Disconnecter 2 & 3 Poles (250 V AC, 60 A IP20)

WA

Order No.	Description	Pack Sizes	Price ea.
I129-M	Stove Isolator; 2-pole, Metal White	4	183.00
I131-M	Stove Isolator; 3-pole, Metal White	4	213.00



I129-M / I131-M

2 x 4 Switch Disconnecter 2 Pole (250 V AC, 30 A Ip20)

WA

Order No.	Description	Pack Sizes	Price ea.
I130-M	Geyser Isolator; 2 -pole, Metal White	5	109.00



I130-M

Brushed Stainless Steel Range

2 x 4 Light Switches (250 V AC, 16 A IP20) WA 2 x 4 Intermediate Switch (250 V AC, 16 A IP20)

Order No.	Description	Pack Sizes	Price ea.
V1S/JOS42/SS1G2W	One lever switch (2-way) Brushed Stainless Steel	5	228.00
V1S/JOS42/SS2G2W	Two lever switch (2-way) Brushed Stainless Steel	5	284.00
V1S/JOS42/SS3G2W	Three lever switch (2-way) Brushed Stainless Steel	5	339.00
V1S/JOS42/SS4G2W	Four lever switch (2-way) Brushed Stainless Steel	5	395.00
V1S/JOS42/SSGINT	One lever Intermediate Switch, Brushed Stainless Steel	5	275.00



V1S/JOS42/SS1G2W



V1S/JOS42/SS2G2W



V1S/JOS42/SS3G2W



V1S/JOS42/SS4G2W

4 x 4 Switched Socket Outlets (250 V AC, 16 A IP20) WA

Order No.	Description	Pack Sizes	Price ea.
V1S/JOS44/SSSSS	Single switched socket outlet, Brushed Stainless Steel	5	330.00
V1S/JOS44/SSDSS	Double switched socket outlet, Brushed Stainless Steel	5	418.00
V1S/JOS44/SSSSES	SA/Euro combined socket outlet, Brushed Stainless Steel	5	430.00



V1S/JOS44/SSSSS



V1S/JOS44/SSDSS



V1S/JOS44/SSSSES

4 x 4 Switch Disconnecter 3 Poles (250 V AC, 16 A IP20) WA

Order No.	Description	Pack Sizes	Price ea.
V1S/JOS44/SSSS60A3P	Stove Isolator: 3 - pole, Brushed Stainless Steel	4	572.00



V1S/JOS44/SSSS60A3P

Brushed Stainless Steel Range

**4 x 4 Phone Socket & Internet Socket and TV & Satellite Outlet
4 x 2 Bell Switch Module**

WA

Order No.	Description	Pack Sizes	Price ea.
V1S/JOS44/SSRJ11/44	Single telephone socket outlet (RJ11) & Internet socket (RJ45), Brushed Stainless Steel	5	446.00
V1S/JOS44/SSTVSAT	Single TV socket outlet & Satellite outlet, Brushed Stainless Steel	5	345.00
V1S/JOS42/SSDIM	Bell Switch Module, Metal Rocker / Dimmer Switch	5	66.00
V1S/JOS42/SSDBS	Bell Switch, Brushed Stainless Steel	5	233.00



V1S/JOS44/SSRJ11/44



V1S/JOS44/SSTVSAT



V1S/JOS42/SSDIM



V1S/JOS42/SSDBS

2 x 4 Blanking Plate - 4 x 4 Blanking Plate

WA

Order No.	Description	Pack Sizes	Price ea.
V1S/JOS42/SSBP	Blanking plate, Brushed Stainless Steel 2 x 4	10	191.00
V1S/JOS44/SSBLANK	Blanking plate, Brushed Stainless Steel 4 x 4	10	263.00



V1S/JOS42/SSBP



V1S/JOS44/SSBLANK

